



**ION LIGHTING™**  
architectural lighting & design

PROJECT NAME	
CATALOG NUMBER	
NOTES	
FIXTURE TYPE	

## DESCRIPTION

OKT's split LED Commercial Downlight series have been optimized to the third generation. The innovative separable design of junction box and housing makes it more flexible. With 65° beam angle, the 4" split commercial downlight can fulfill a wide range of lighting needs. Easy-fit installation comes from adjustable spring-action housing clips. It is designed and engineered for recessed applications, which is suitable for commercial and public places and elegantly decorates the ambience, such as shopping mall, hospital, airport, hotel lobby, etc.

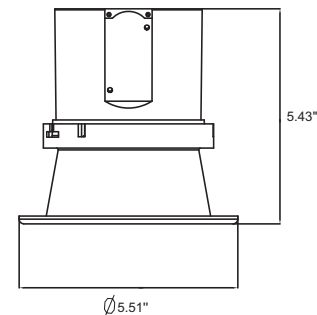
## PERFORMANCE SUMMARY

Model	CP4-10W-XXX	CP4-15W-XXX	CP4-20W-XXX
Efficacy	80LPW	85LPW	88LPW
Rated Power	10W	15W	20W
Delivered light output	800lm	1275lm	1760lm
Input Current	0.1A	0.2A	0.25A
Input Voltage	100-277V AC		
CRI	Ra>80		
CCT Options	3000K, 3500K, 4000K, 5000K		
THD	<20%		
PF	>0.9		
Standard Warranty	5 Years		
Standard Lifetime	Designed minimum 50,000 hours		
Mounting	Recessed		
Temperature Rating	Designed to operate in temperatures 45°C and below room side and plenum side.		
Dimming Type	0-10V dimming or non-dimmable		
UL Listed	Pending	YES	YES
Energy Star Listed	Pending	YES	YES
LM79 Report	Pending	YES	YES
Damp Rated	YES	YES	YES

## Split 4" Recessed LED Commercial Downlights



### Dimension:



## ORDER INFORMATION

Category	Size	Wattage	CCT(XX)	CRI(X)
CP=Commercial Premium Downlight	4=4inch	10W=10W 15W=15W 20W=20W	30=3000K 35=3500K 40=4000K 50=5000K	E=80 CRI

CP4-10W-30E

